

Crane specification

 Serial number

 Year of construction

 Crane group : A3 as per FEM 1.001
 Loadspectrum : Q1 as per FEM 1.001
 Classification : U4 as per FEM 1.001
 Stability : as per FEM 1.001

 Max. load

9,0 tonne

 Max.radius
with max. load

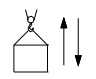
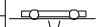
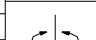
13 m

 Max. capacity

117 tm

 Max. jib length

50 m
Speeds Jib horizontal / jib 30° luffed

	m/min	kg		0 - 70 m/min
	20	9000		
	32	4500		0 - 0,9 rpm
	50	2250		
75	0			

 All motions with hydraulic proportional controls
 Luffing the jib 30° can be controlled from crane cab or via remote control
 The crane should be folded in at a wind force of 9 on the Beaufort scale (wind speed 21 m/min) or when not in use for a longer period

 Crane equipped with full counterweight: 11300 kg
 360° continuous slewing : with outriggers out and down
 Operating temperature : range from -15° to 40° C.

 Rated lifting capacity is net capacity
 In all cases 2 parts of line
 Max. line pull force : 4500 kg
 Sail area of the load : max. 1,0 m² / tonne
 Max. outrigger loading: 440 kN

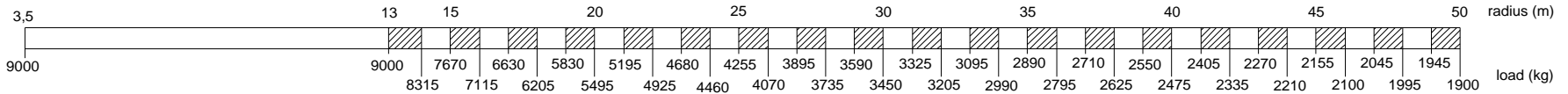
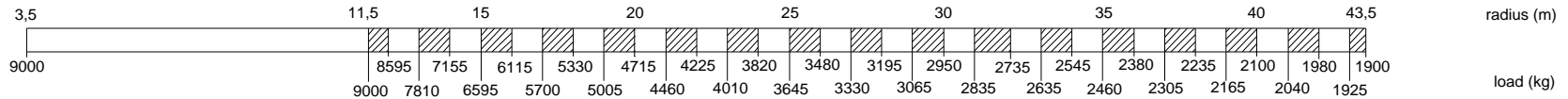
Outrigger position : 7,50 x 7,66 m
 Operation allowed up to a wind force of 7 on the Beaufort scale (wind speed 14 m/sec)

Outrigger position : 7,50 x 5,72 m
 Operation allowed up to a wind force of 7 on the Beaufort scale (wind speed 14 m/sec)

Lifting chart Outrigger spread 7,50 m x 7,66 m

Jib horizontal

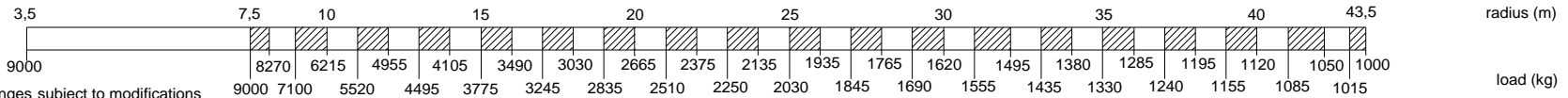
Hookheight 23,8 / 32,6 m (height under jib 25,8 / 34,6 m)

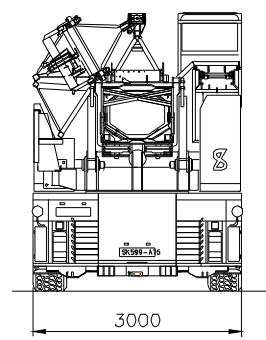
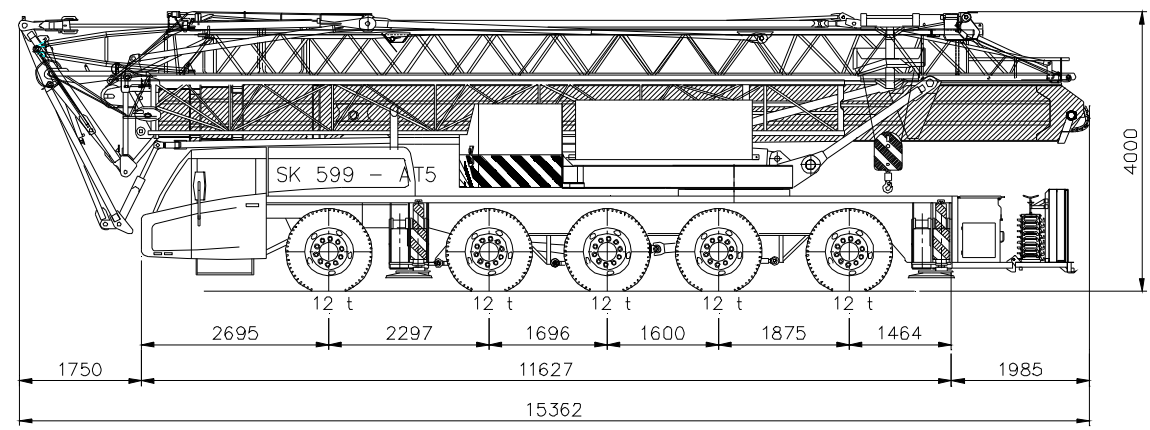
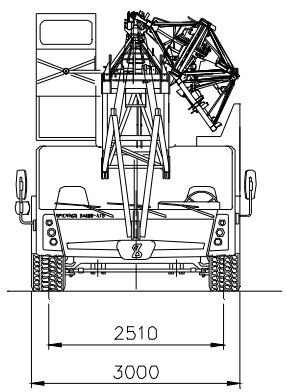
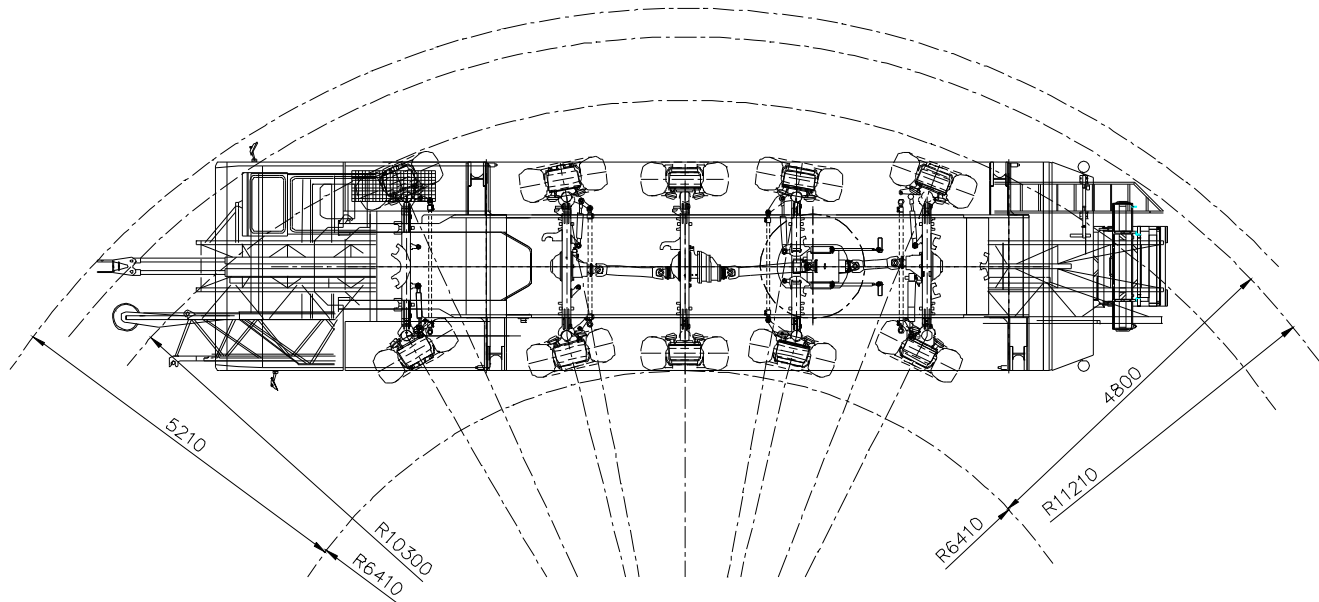

Jib 30° luffed


Lifting chart Outrigger spread 7,50 m x 5,72 m

Jib horizontal

Hookheight 23,8 / 32,6 m (height under jib 25,8 / 34,6 m)


Jib 30° luffed




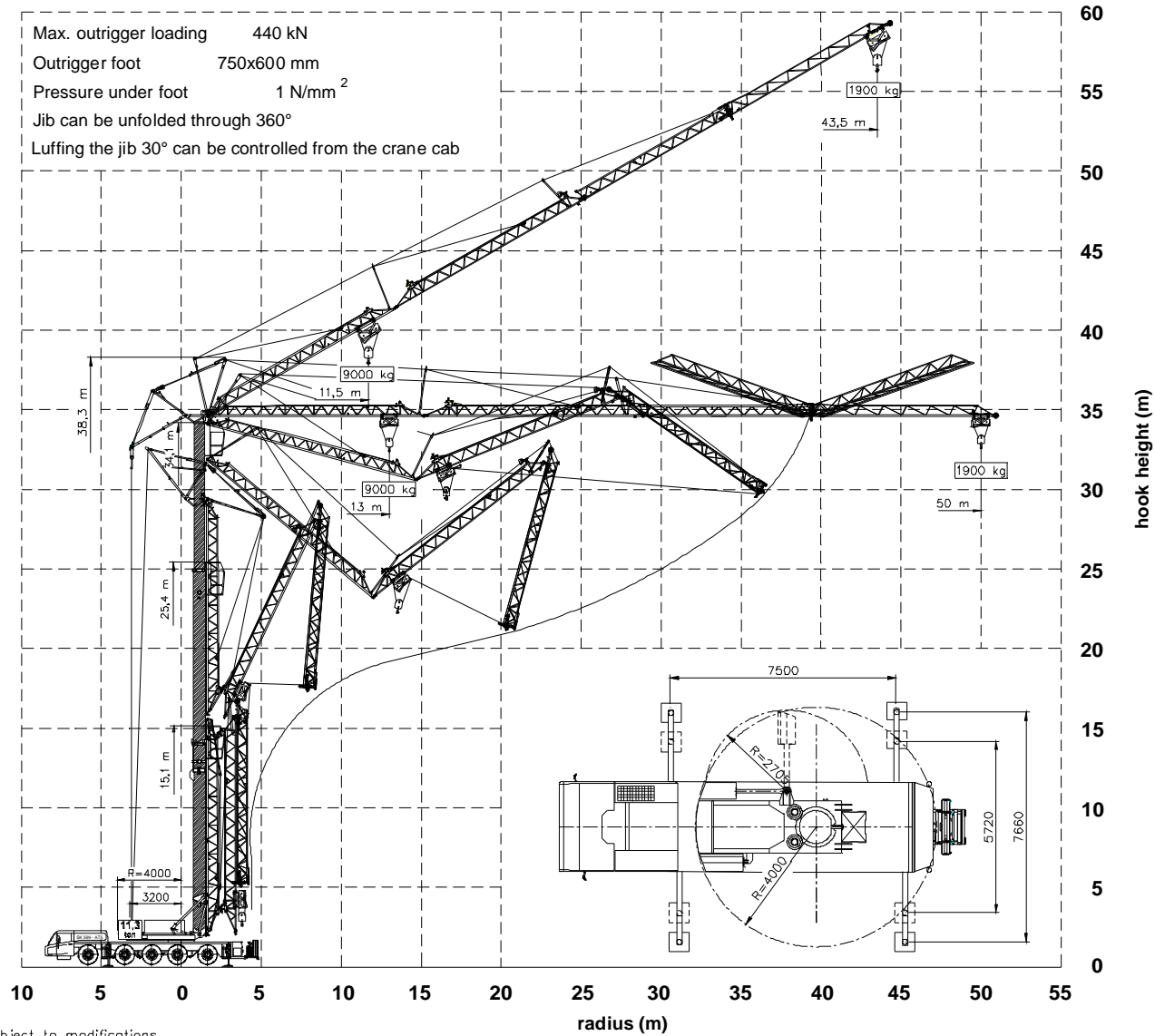
Spierings Hydraulic Folding Crane SK 599 - AT5

Total weight: 60000 kg
changes subject to modifications

 SPIERINGS
KRANEN
Merwedestraat 15
5347 KZ Oss NL
Tel. +31 (0)412-626964
Fax +31 (0)412-645299

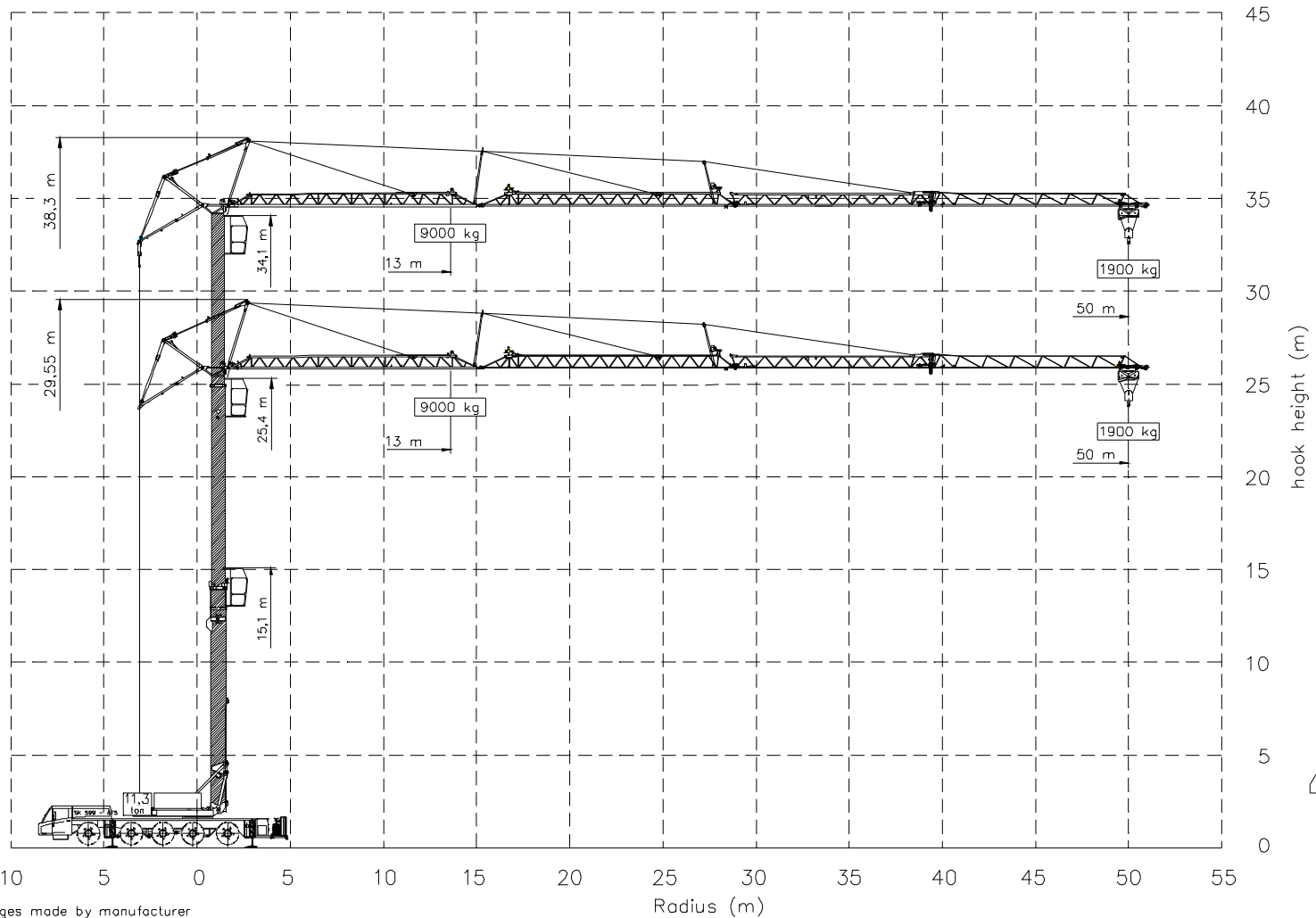
Max. outrigger loading 440 kN
 Outrigger foot 750x600 mm
 Pressure under foot 1 N/mm²
 Jib can be unfolded through 360°
 Luffing the jib 30° can be controlled from the crane cab

SPIERINGS HYDRAULIC FOLDING CRANE SK599-AT5



Merwedestraat 15
 5347 KZ Oss NL
 Tel. +31 (0)412-626964
 Fax +31 (0)412-645299

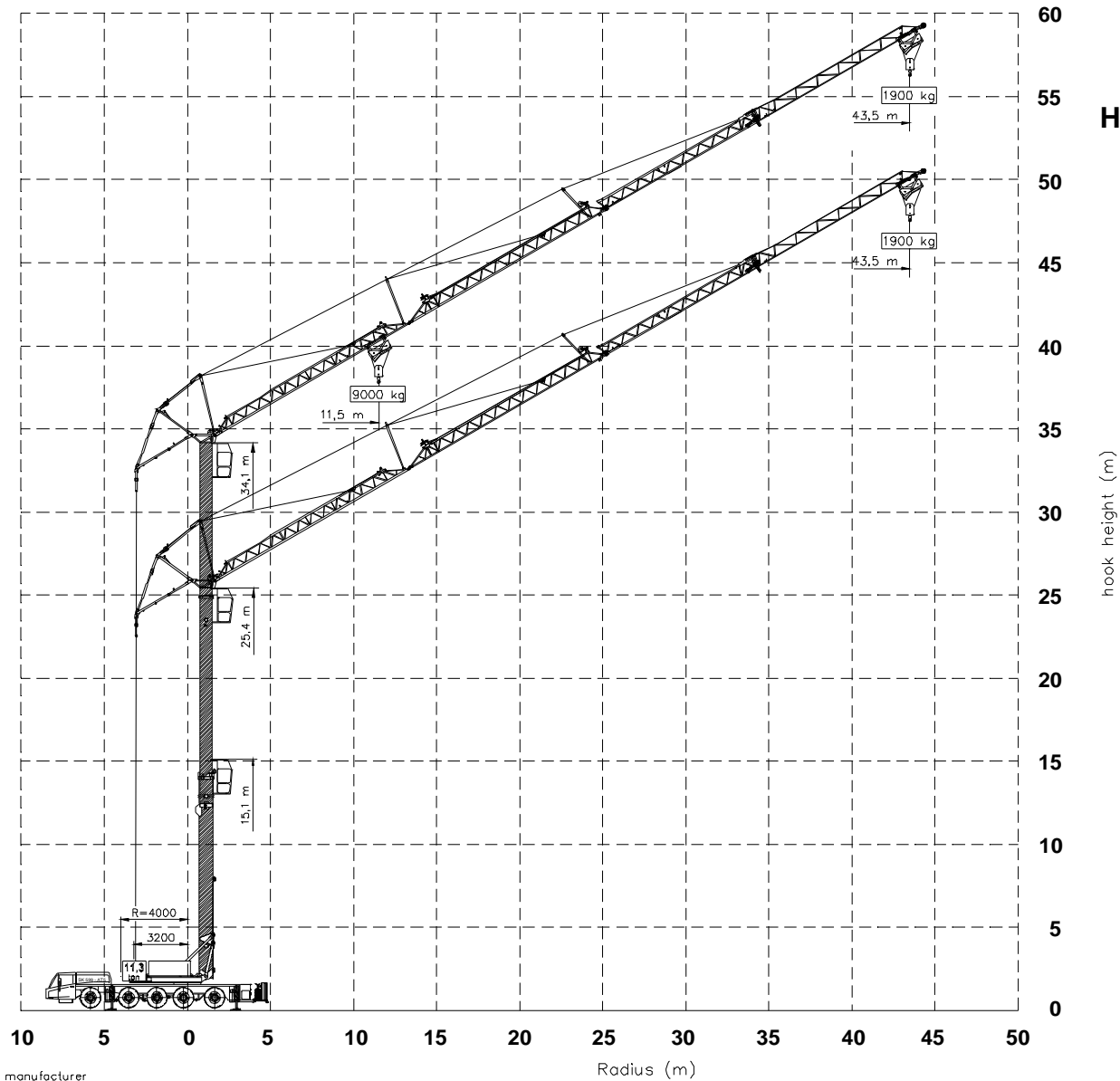
SPIERINGS HYDRAULIC FOLDING CRANE SK599 – AT5



 **SPIERINGS
KRANEN**

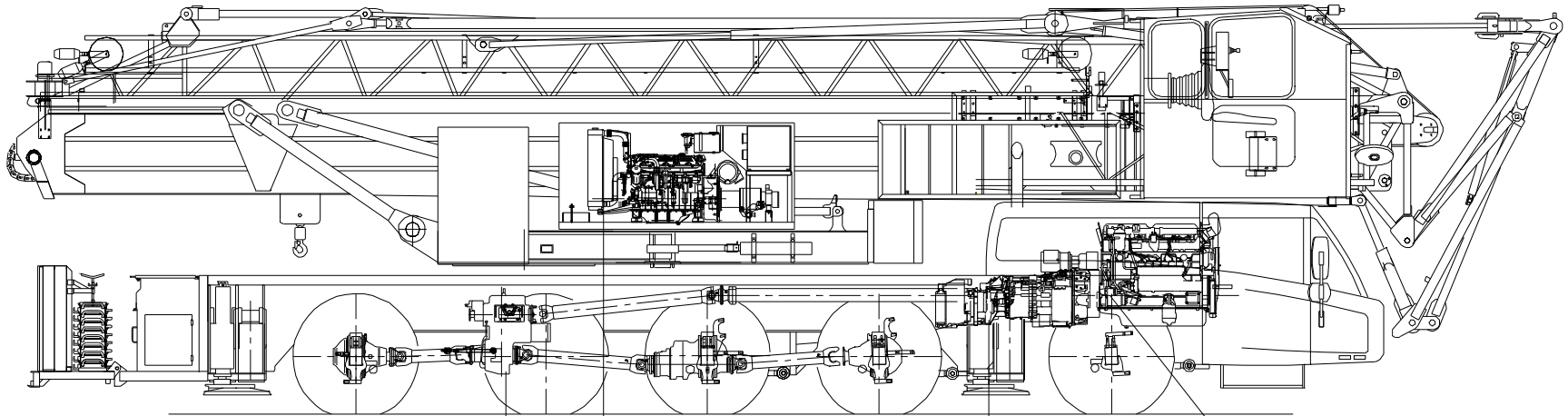
Merwedestraat 15
5347 KZ Oss NL
Tel. +31 (0)412-626964
Fax +31 (0)412-645299

SPIERINGS HYDRAULIC FOLDING CRANE SK599-AT5



 **SPIERINGS
KRANEN**

Merwedestraat 15
5347 KZ Oss NL
Tel. +31 (0)412-626964
Fax +31 (0)412-645299



Axle 5

Axle 4

Axle 3

Axle 2

Axle 1

Transfer box:
STEYR VG2001/396
Road gear $i=0,89$
Off road gear $i=1,54$

Crane diesel engine:
DETROIT VM D706 IE2
Power: 96 kW (2600 rpm)
Torque: 480 Nm (1300 rpm)

Gearbox:
ZF 16AS2601
Automatic
Dry plate clutch
+ retarder

Carrier diesel engine:
DAF XE 390 C (EURO 3)
Power: 390 kW (1900 rpm)
Torque: 2300 Nm (1500 rpm)

Axle 1 : Steer axle

Axle 2 : Steer drive axle (end reduction $i=6,35$)

Axle 3 : Drive axle , non steered (end reduction $i=6,35$)

Axle 4 : Steer axle

Axle 5 : Steer drive axle (end reduction $i=6,35$)

Tyres

Suspension: hydro-pneumatic on all axles; stroke cyl.

Max. speed carrier

Min. speed carrier (engine at 1000 rpm)

Overall weight

: 445/75 R22,5

: 247 mm

: 85 km/h

: 1,6 km/h

: 60.000 kg.

Drive train Spierings Folding Crane SK 599 - AT5