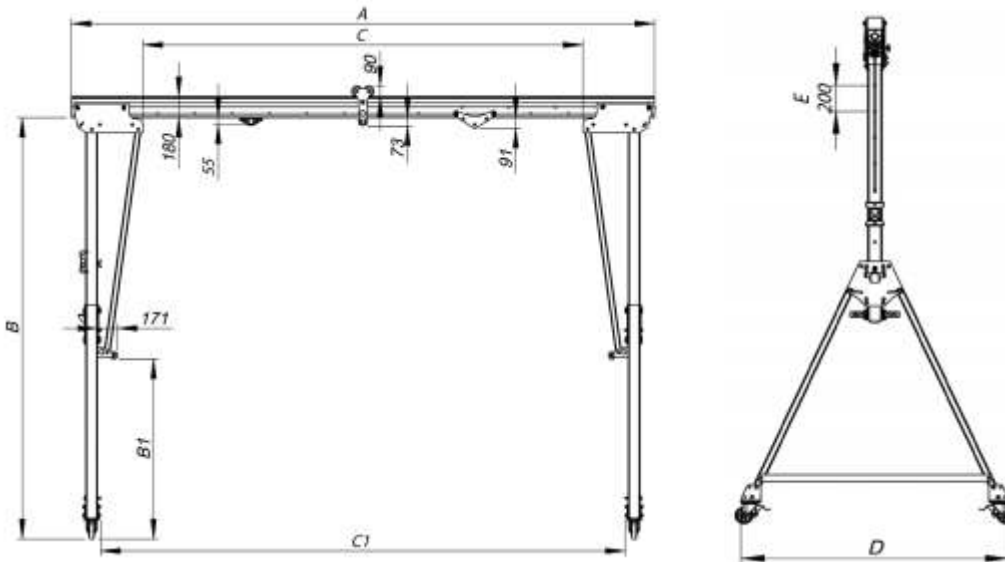


## Aluminium Gantry Crane



A Total Beam Length	C Working Span	C1 Bottom Span	Beam Weight	Support (one side): 38.2 kg WLL	B1 Support (one side) 50.2 kg WWL	Support (one side) 72.8 kg WLL
2000 mm	770 mm	1496 mm	26.7 kg	3500 kg	3000 kg	3000 kg
3000 mm	1770 mm	2496 mm	40.1 kg	3500 kg	3000 kg	3000 kg
4000 mm	2770 mm	3496 mm	53.4 kg	3000 kg	3000 kg	3000 kg
5000 mm	3770 mm	4496 mm	66.5 kg	2500 kg	2500 kg	2500 kg
6000 mm	4770 mm	5496 mm	80.1 kg	2000 kg	2000 kg	2000 kg
7000 mm	5770 mm	6496 mm	93.5 kg	1500 kg	1500 kg	1500 kg

<b>Support Weight:</b>	38.2 kg	50.2 kg	71.8 kg
<b>B Support Height</b>	1594 mm – 2194 mm	2207 mm - 3607 mm	3230 mm – 5430 mm
<b>B1 Under Roller Height (min-max)</b>	34 mm – 634 mm	141 mm – 1541 mm	164 mm - 2364
<b>D Legs Spacing</b>	115 mm	1928 mm	2834 mm
<b>E Support Height Increment</b>	200 mm	200 mm	200 mm

[www.maximliftingservices.co.uk](http://www.maximliftingservices.co.uk)

Maxim Lifting Services Limited. Registered in England and Wales.  
 Company Number: 07393264 • VAT Registration Number: 10502369

